

Liquefied Gas Sampler Panel

LPG Sampler panel



Liquefied gas (LPG) sampler with externally coupled valves to take representative samples of liquefied gases or (high vapour pressure) liquids. Sampling directly from process conditions, representative and closed loop (emission free). This type samplers are built from high quality stainless steel 316 materials and components. Installation by means of threaded connections, compression fittings or flanges, the sample cylinders are equipped with an internal outage.

Easy to use samplers with one handle operation providing optimum safety for the operator and the environment. The samplers are standard equipped with a manual handle and mounted on a stainless steel 316 support plate. The total dimensions will be 800 x 600 x 150 mm (HxWxD) and with a weight of 24 kg. Spring return handles and purge options are available.

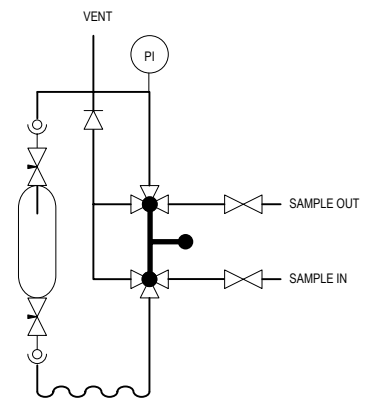
OPTIONS

- Spring return handle
- Lockable handle
- Pipe stand
- Double Block & Bleed inlet valve
- Flow meter
- Protective enclosure
- Sample cooler
- Exotic materials
- Larger/smaller sample size
- Vent outlet carbon absorption filter
- Low temperature range for cryogenic applications

FEATURES

- Sample circulation
- Outage tube within sample cylinder keep the cylinder safe
- Coupled valves design, easy operation
- Various sample volumes: 300 mL, 500 mL or 1000 mL sample cylinder
- Various outage tubes: limited to 85% liquid filling of sample cylinder for safety
- Quick connectors with flat face design (emission free)
- Pressure range: DOT 1800 psig (124 barg) or European TPED 100 barg (1450 psig)
- Depressurising of quick connect couplings

Please note: the above is a basic specification only. Mechatest Samplers can be offered with a wide variety of options, please do not hesitate to contact us.



Mechatest Sampling Solutions
Tel: +31(0)153105183
sales@mechatest.com
www.mechatest.com

Koperslager 3
2631 RK Nootdorp
The Netherlands
Be part of the best solution

 **MECHATEST**
SAMPLING SOLUTIONS

Mechatest is a Certified Industrial Sampling Systems Company with over 26 years of experience in design and manufacturing of fluid sampling systems. We understand how a sample behaves at the sample tap and transport into the lab. We offer the best knowledge, equipment and sampling solutions in the field.